



EN

Skylux® iWindow2™ / iWindow3™

Mounting instructions



Table of contents

CARE AND CLEANING	p. 2
GENERAL	p. 2
INCLINATION OF THE SKYLIGHT CURB	p. 3
MOUNTING THE PVC CURB	p. 3
MOUNTING THE SLOPING PVC FRAME 08/00 (OPTIONAL)	p. 4
MOUNTING THE FRAME	p. 5
ON SKYLUX PVC CURB	p. 5
ON SLOPING PVC FRAME (OPTIONAL)	p. 6
FINISH WITH ROOF COVERING	p. 9

Care and cleaning

- Check the attachments and silicone joints once a year.
- Remove tar stains with turpentine only and rinse well with plenty of pure water.
- Wipe off with mild soapy water (no abrasives) and always rinse well with plenty of pure water.
- Clean the PVC curb with PVC cleaner.

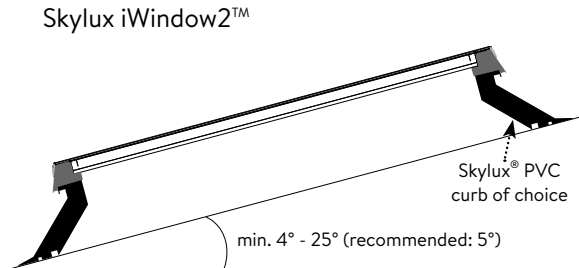
General

Before starting the installation or maintenance of your Skylux iWindow2™ or Skylux iWindow3™, please respect all necessary safety precautions. A Skylux iWindow2™ or Skylux iWindow3™ must be installed by a professional.
Declaration of performance via www.skylux.be.

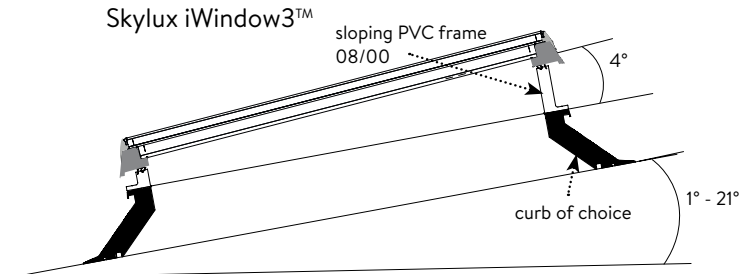
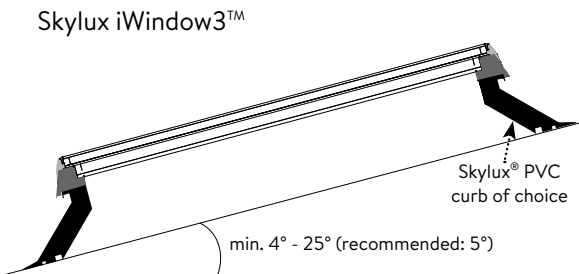
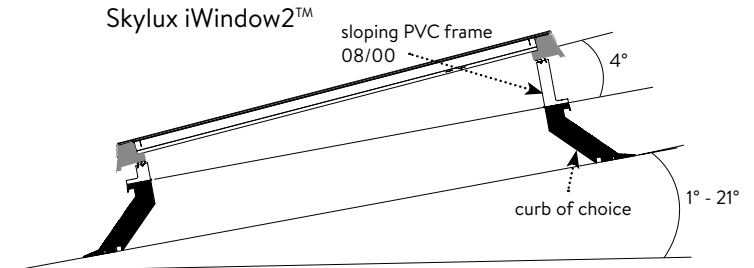
Inclination of the skylight curb

The Skylux iWindow2™ or Skylux iWindow3™ must be installed with an inclination angle between **at least 4°** and max. 25°. To avoid the glass getting dirty and water stagnation, we recommend an inclination of 5°. These values must be respected by the roof inclination or by the installation of the curb.

*** with Skylux PVC curb**



*** with the sloping PVC frame 08/00 (optional)**



Mounting the PVC curb

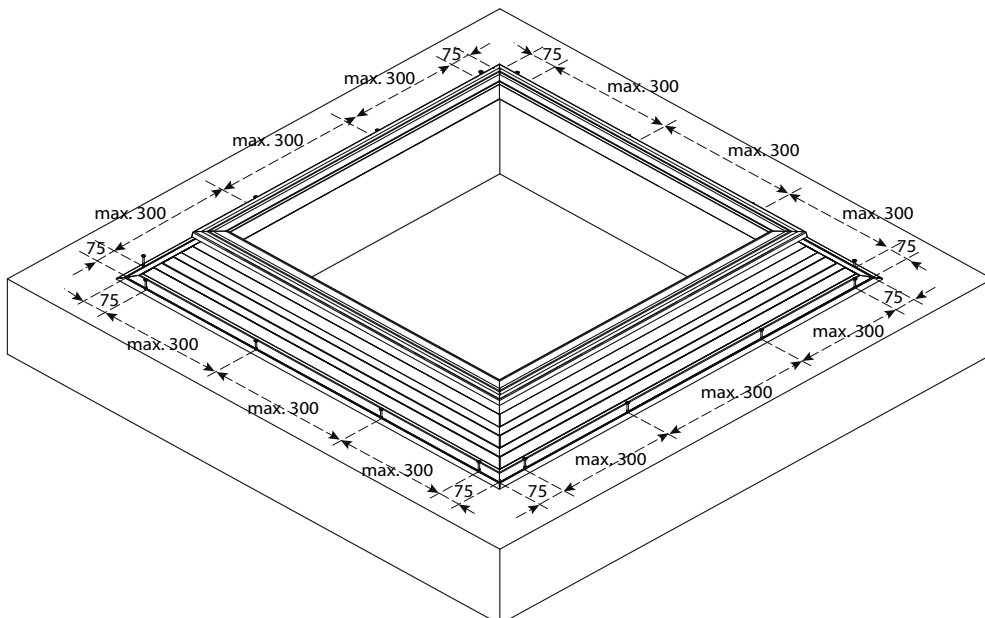
Always use a PVC curb recommended by Skylux, dependent on the roof covering. Other curbs are advised against, since they invalidate the guarantee.

PVC curb

Curb: model 16/00, model 16/20 EP, model 20/00 EP(-S), model 30/20 and model 35/30.

To obtain the perfect airtightness, we recommend to seal the curb airtight to the roof construction.

Screw the curb on the roof construction through the indication line of the flange (timber screws 5,2 x 60 mm or metal screws 4,8 x 60 mm). Start at 7,5 cm from the ends. The axis distance to the other screws must not exceed 30 cm.

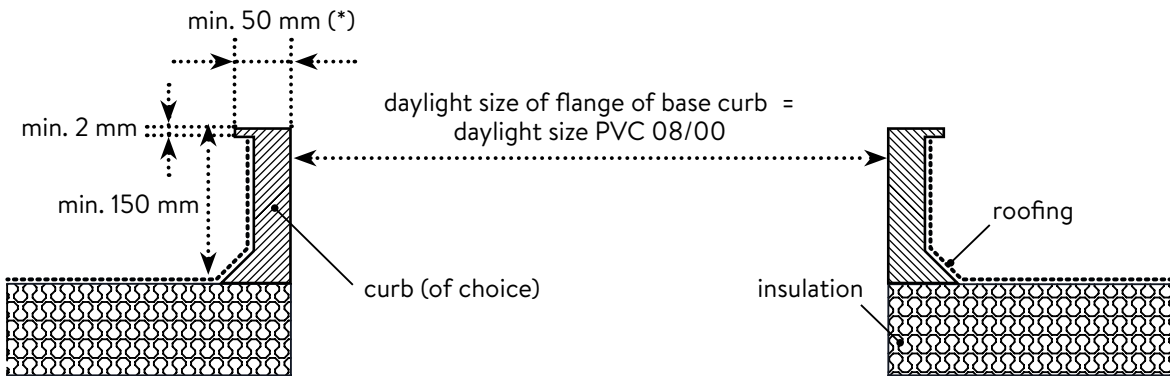


Mounting the sloping PVC frame 08/00 (optional)

If you use the optional sloping PVC frame 08/00, you can also install on other base curbs.

Requirements base curb:

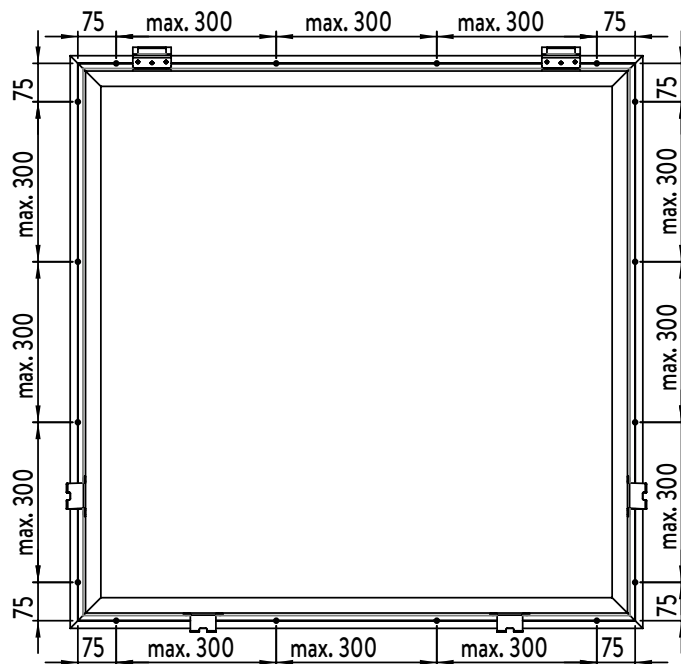
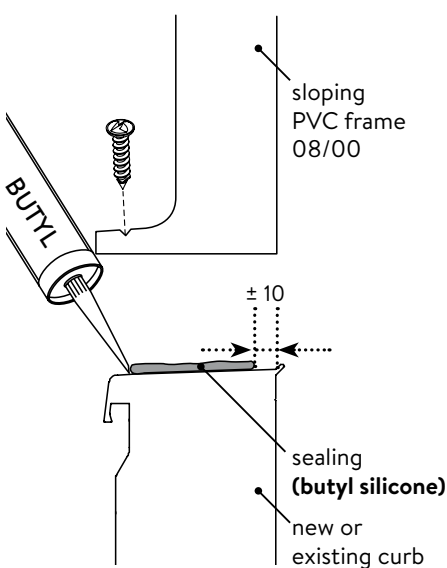
- strong enough
- top surface at least 150 mm above the roof insulation



(*) Max. 60 mm for daylight sizes with short side > 1,000 mm, because the hinges are located here.

Apply **butyl silicone** to the flange of the base curb for an excellent sealing and airtightness. Mount the PVC 08/00 on top and **attach with screws**.

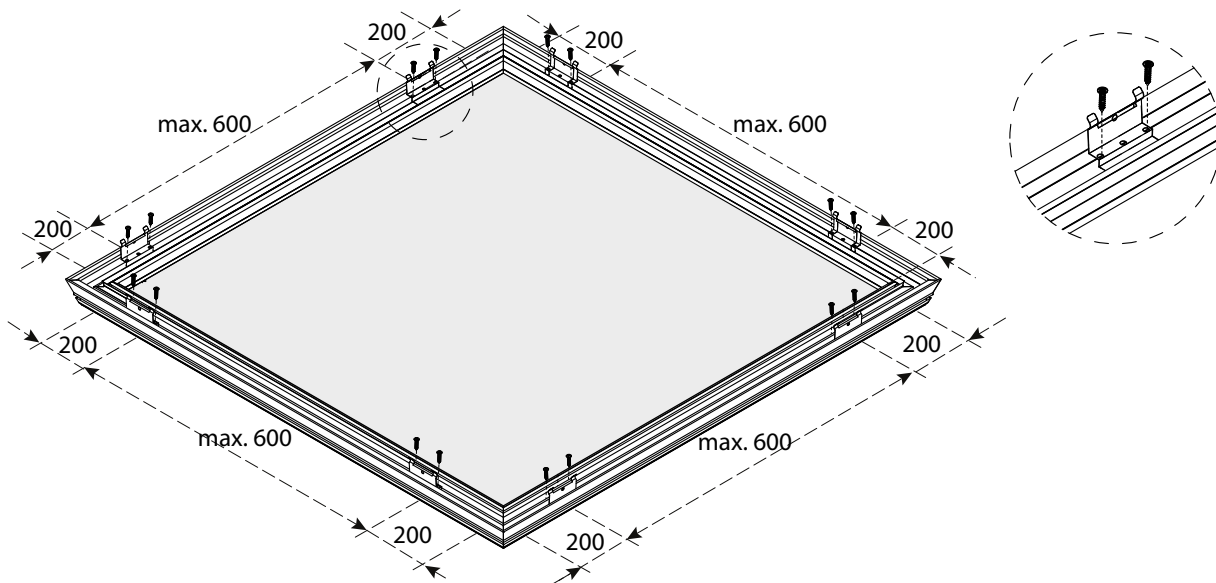
Do not deform the PVC frame 08/00 to divergent daylight sizes. Please respect the tolerances +2, -1 mm of the daylight size of the PVC frame 08/00.



Mounting the frame

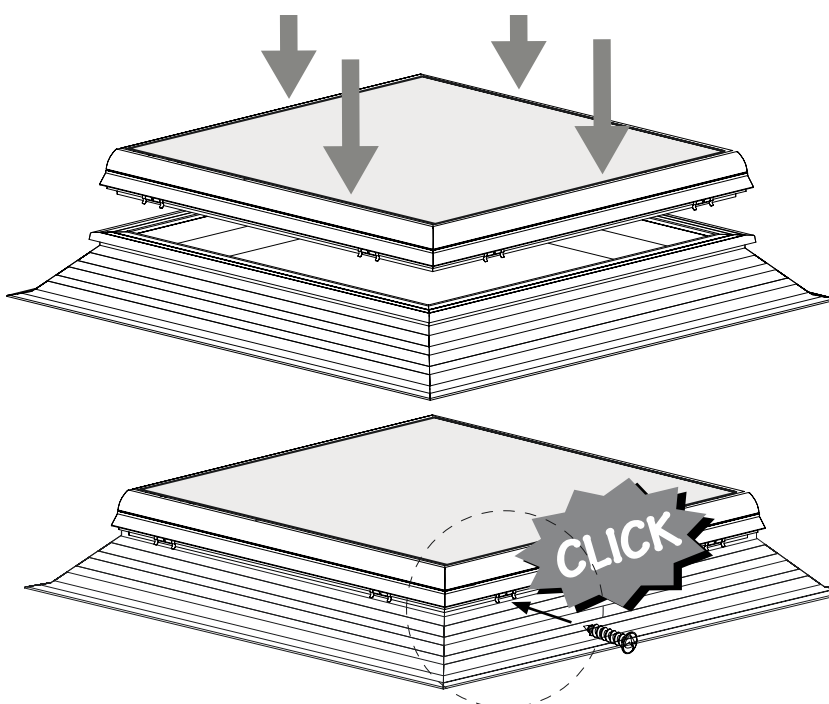
On Skylux PVC curb:

Open the packing and leave the frame upside down. Screw the clips pieces at the bottom of the frame with the delivered stainless steel screws. Start at 20 cm from the ends with an axis-distance of maximum 60 cm for installation on PVC curbs 16/20 EP, 20/00 EP(-S), 30/20 or 35/30. For installation on PVC curbs 16/00, you need to order a separate special mounting set with clips and screws. Installation analogue to the standard set with clips and screws (art.nr. 41.682: set with 4 clips).



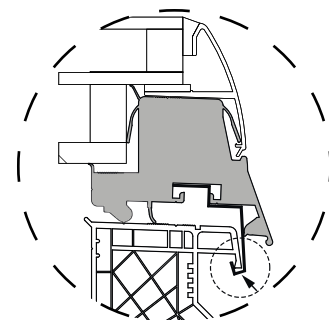
Turn around the complete system and put it above the curb!

Make sure the clips, the complete system of window and glass, are not directly placed on the roof covering or underground (to avoid damage on the roof covering or clips). Present the frame on the curb and divide the play equally over the 4 sides of the curb. Simply push the frame over the curb to clips the frame on the curb.



Drawings of Skylux iWindow3, similar to Skylux iWindow2.

Please check if all clips have been clamped behind the lip of the curb.



For extra reinforcement, screw the clips through the curb with delivered screws.

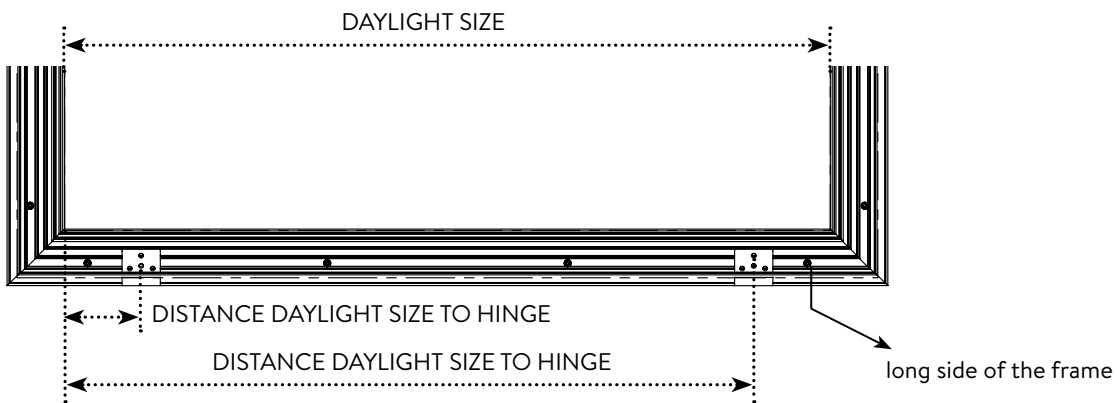
Or on the sloping PVC frame 08/00 (optional):

Situation for a glass or hybrid skylight that is already installed on a Skylux PVC curb:

Remove the upper clips on one of the long sides (in case of a square size, you can choose which side).

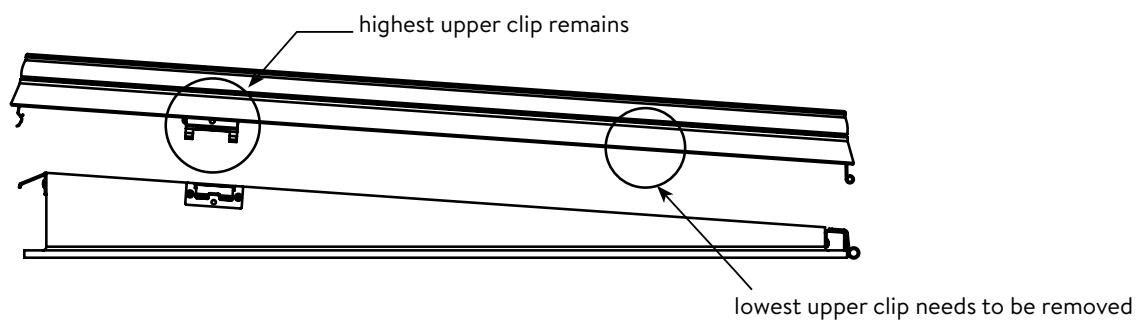
New application:

Install the upper hinges on one of the long sides of the frame. Measure the distance from the daylight size to the middle of the hinge.

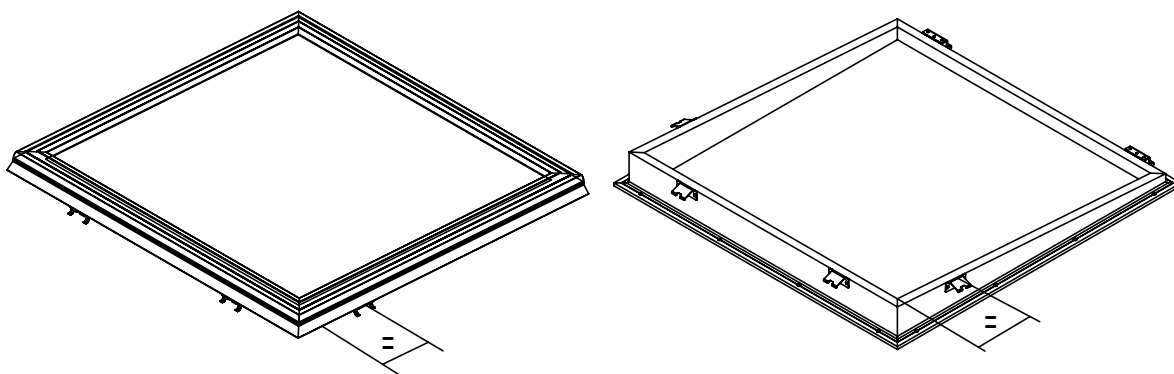


Daylight size long side (hinge side) (mm)	Hinge 1	Hinge 2	Hinge 3	Hinge 4
600	50	550		
700	50	650		
800	75	725		
900	100	800		
1000	100	900		
1100	125	550	975	
1200	150	600	1050	
1300	150	650	1150	
1500	100	750	1400	
1800	100	633	1167	1700
2000	100	700	1300	1900

On the short sides, only the upper clip furthest away from hinge side remains, the other upper clips need to be removed.

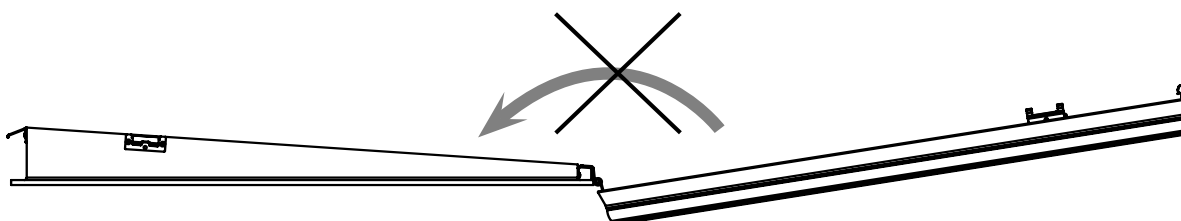


Check if the position of the upper clips matches the position of the lower clips. Move the upper clips if necessary.

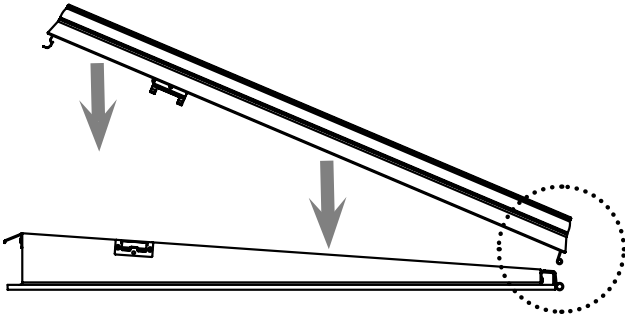


Attach the upper hinges of the frame to the lower hinges of the sloping PVC frame 08/00.

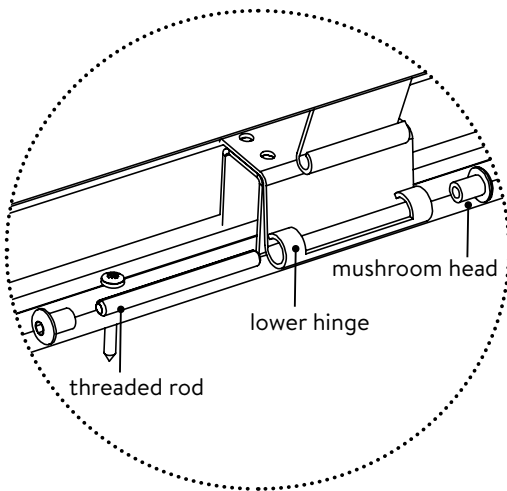
DO NOT: insert the frame when the hinges are turned over



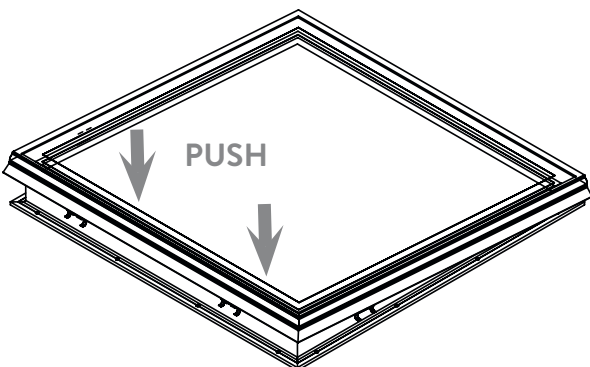
CORRECT WAY: place the glass frame on top and insert into the hinges



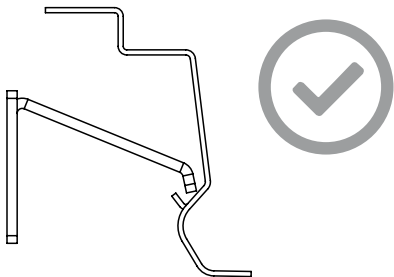
Insert the threaded rod with the mushroom heads into the hinges and use Loctite.



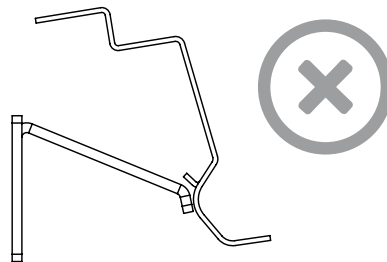
Lower the frame until the upper clips of the frame support on the lower clips of the sloping frame.
Push the frame so the upper clips are attached to the lower clips.
Visually check if everything is well clipped.



Upper clip attached:

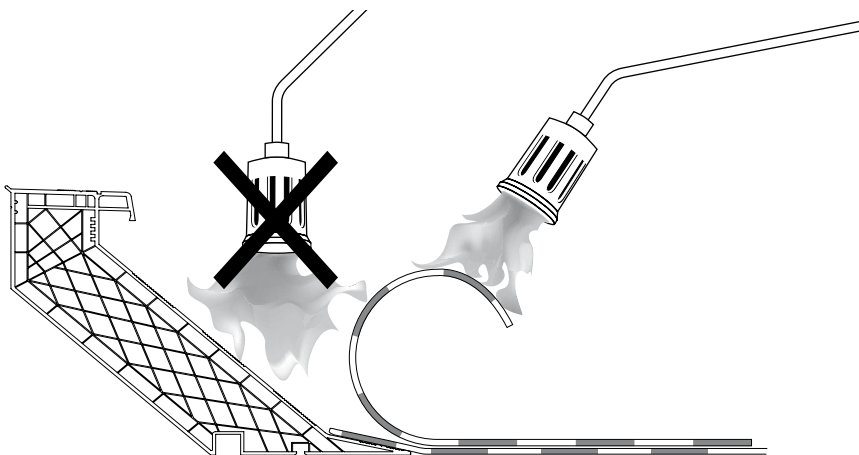


Upper clip not attached:

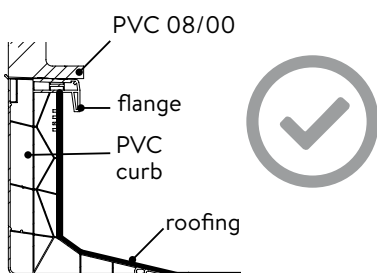


Finish with roof covering

Pull up the roof covering to below the top flange of the base curb.
We refer to the regulations of the roof cover manufacturer for all the types of roofing.



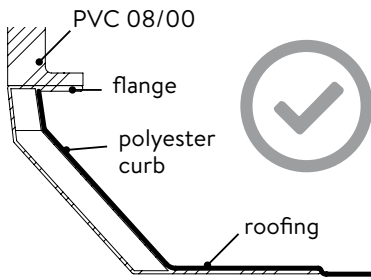
PVC curb:



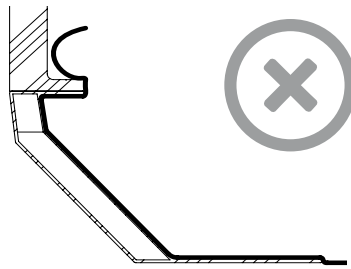
OK: roof covering is pulled up to below the flange

Incorrect: roof covering is pulled up over the flange

polyester curb:

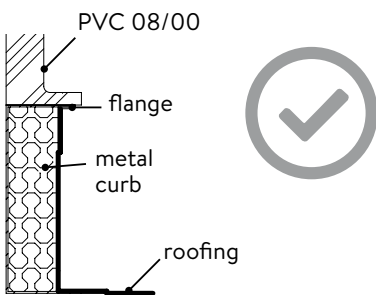


OK: roof covering is pulled up to below the flange

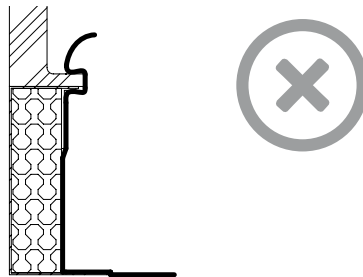


Incorrect: roof covering is pulled up over the flange

metal curb:

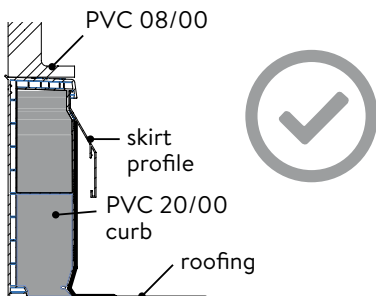


OK: roof covering is pulled up to below the flange



Incorrect: roof covering is pulled up over the flange

PVC 20/00 curb:



OK: roof covering is pulled up to below the skirt profile