

07.7 ADJUSTABLE PAVING SUPPORT “SPECIAL LIGHT JOIST” FOR DECKING SYSTEMS

NEW



The **ADJUSTABLE PAVING SUPPORT “SPECIAL LIGHT JOIST”** can be used on external projects and can also be used with a wide range of decking systems.

Thanks to its special head, it is adaptable to any type of joist support structure. It is the perfect solution for turning non practicable areas into practicable ones, whether they are waterproofed and not, it also allows for the passage of cables, pipes etc that are normally present in offices, shops and work environments.

For this reason, raised floors are mainly used in new buildings or in renovation where maximum design and flexibility is required or simply to ease the inspection of the waterproofing layer or any pipes, cables etc.

The Adjustable Paving Support Special Light Joist is produced using only the finest top grade polypropylene and additives, these top quality raw materials ensure its long durability and also increase the load capacity.

ARTICLES

- Art. 187J Adjustable Paving Support Special Light Joist h. from 22 to 35 mm.
- Art. 187.1J Adjustable Paving Support Special Light Joist h. from 35 to 55 mm.
- Art. 187.2J Adjustable Paving Support Special Light Joist h. from 55 to 95 mm.
- Art. 187.3J Adjustable Paving Support Special Light Joist h. from 95 to 165 mm.
- Art. 187.4J Adjustable Paving Support Special Light Joist h. from 165 to 235 mm.
- Art. 187.5J Adjustable Paving Support Special Light Joist h. from 200 to 270 mm.
- Art. 187.6J Adjustable Paving Support Special Light Joist h. from 260 to 340 mm.
- Art. 187.7J Adjustable Paving Support Special Light Joist h. from 305 to 375 mm.
- Art. 187.8J Adjustable Paving Support Special Light Joist h. from 365 to 445 mm.
- Art. 187.9J Adjustable Paving Support Special Light Joist h. from 410 to 480 mm.
- Art. 187.10J Adjustable Paving Support Special Light Joist h. from 470 to 550 mm.

OPTIONALS

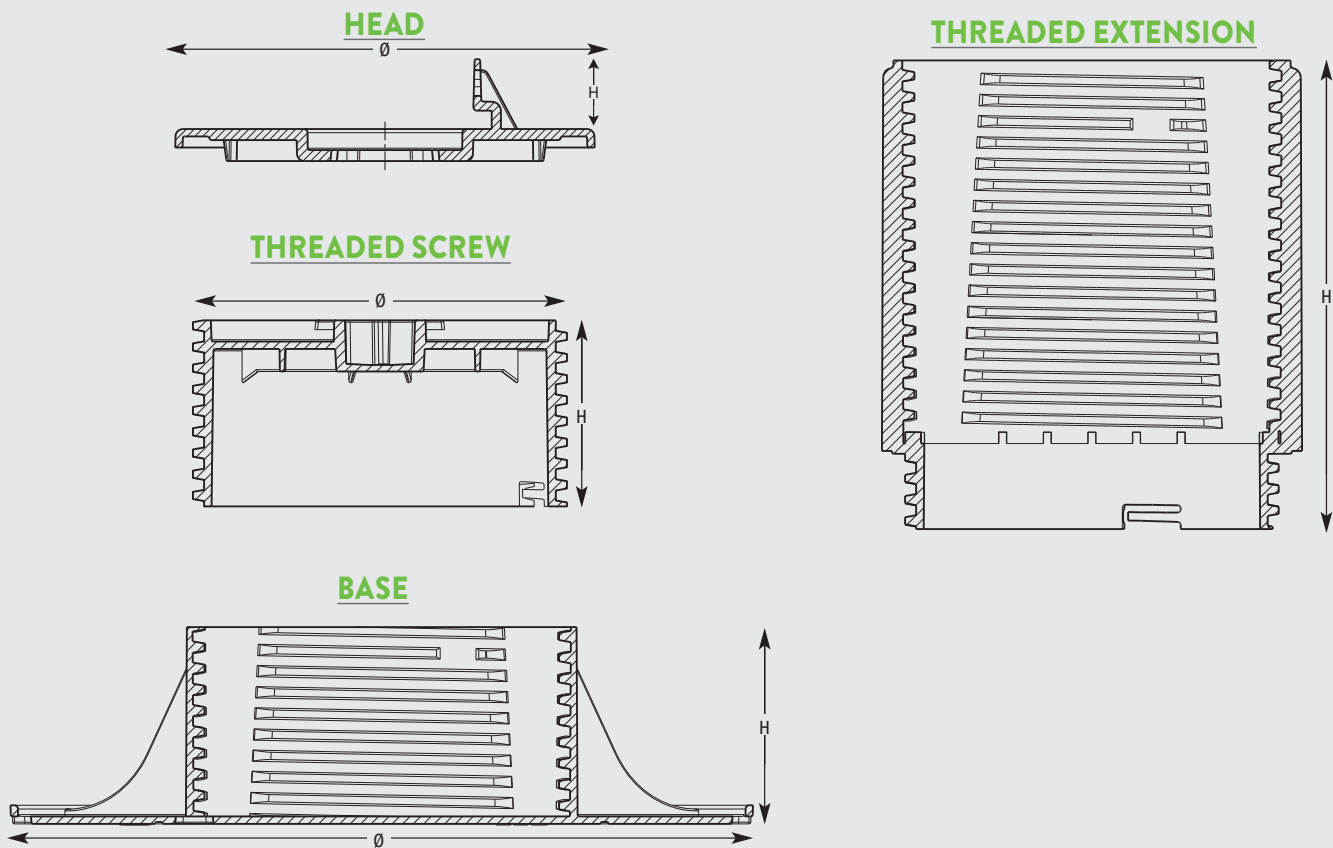
- Art. 188.4 Sleeve extension
- Art. 186.5 Levelling spacer
- Art. 186.6 Regulating key



07.7 ADJUSTABLE PAVING SUPPORT “SPECIAL LIGHT JOIST” FOR DECKING SYSTEMS

To guarantee a very good weight capacity and the perfect efficiency of the regulation system, we highly recommend not to exceed the maximum height stated in the product description.

COMPOSITION OF ADJUSTABLE SUPPORTS “SPECIAL LIGHT JOIST”										
CODE ART.	SIZE		BASE		THREADED SCREW		THREADED EXTENSION		HEAD	
code	from mm.	to mm.	Ø mm.	h. mm.	Ø mm.	h. mm.	pieces n.	h. mm.	Ø mm.	h. mm.
187J	22	35	200	20	100	17		126	113	19
187.1J	35	55	200	33	100	30		126	113	19
187.2J	55	95	200	53	100	50		126	113	19
187.3J	95	165	200	93	100	90		126	113	19
187.4J	165	235	200	93	100	160		126	113	19
187.5J	200	270	200	93	100	90	1	126	113	19
187.6J	260	340	200	93	100	160	1	126	113	19
187.7J	305	375	200	93	100	90	2	126	113	19
187.8J	365	445	200	93	100	160	2	126	113	19
187.9J	410	480	200	93	100	90	3	126	113	19
187.10J	470	550	200	93	100	160	3	126	113	19

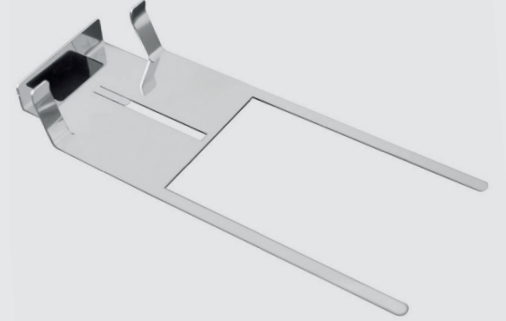


07.8 SET CLIP FOR VERTICAL CLOSURE

BASE CLIP

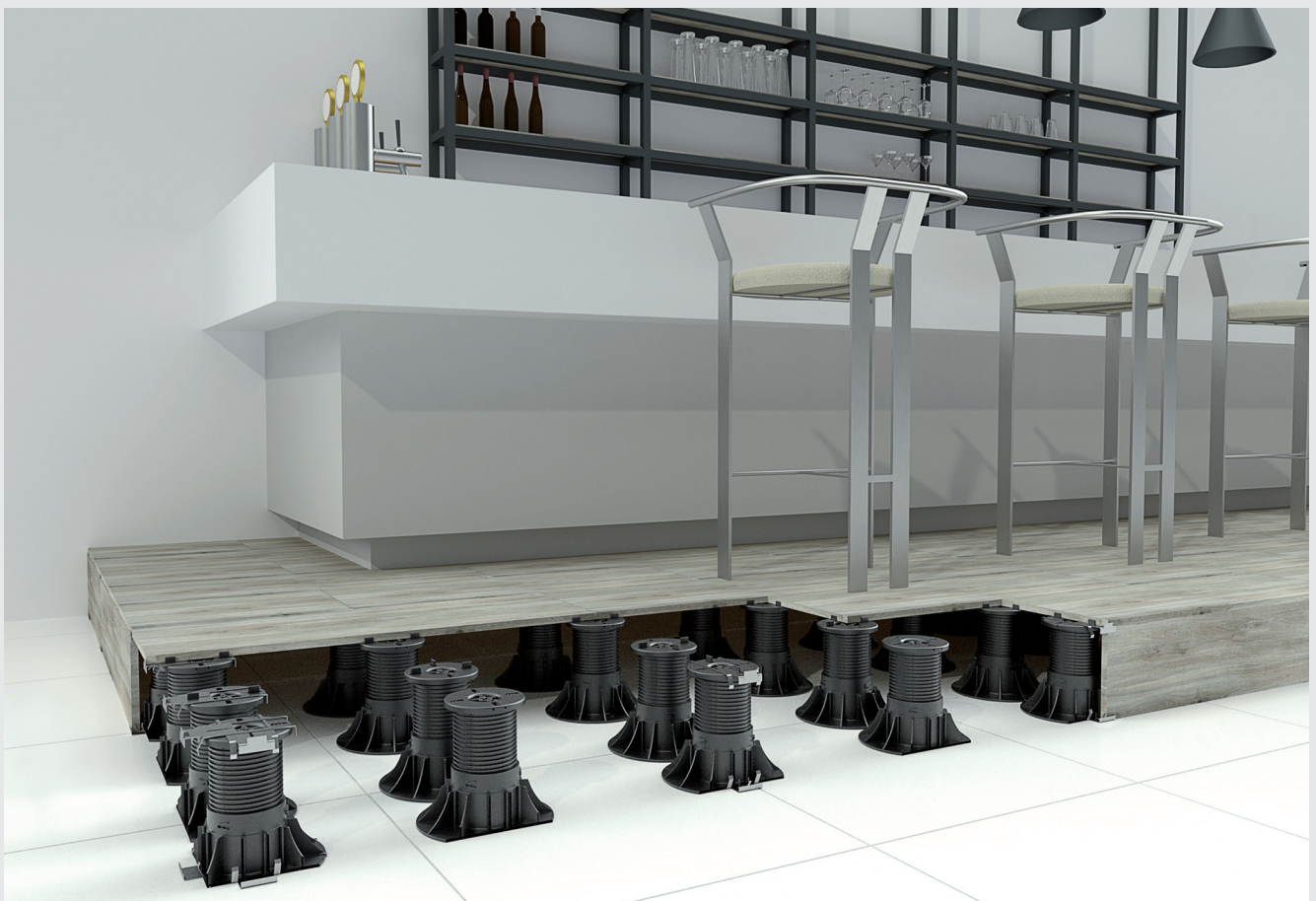


HEAD CLIP



ARTICLES

- Art. 185CV2 Set clip for vertical closure spacer 2 mm.
- Art. 185CV4 Set clip for vertical closure spacer 4 mm.



07.8 SET CLIP FOR VERTICAL CLOSURE

